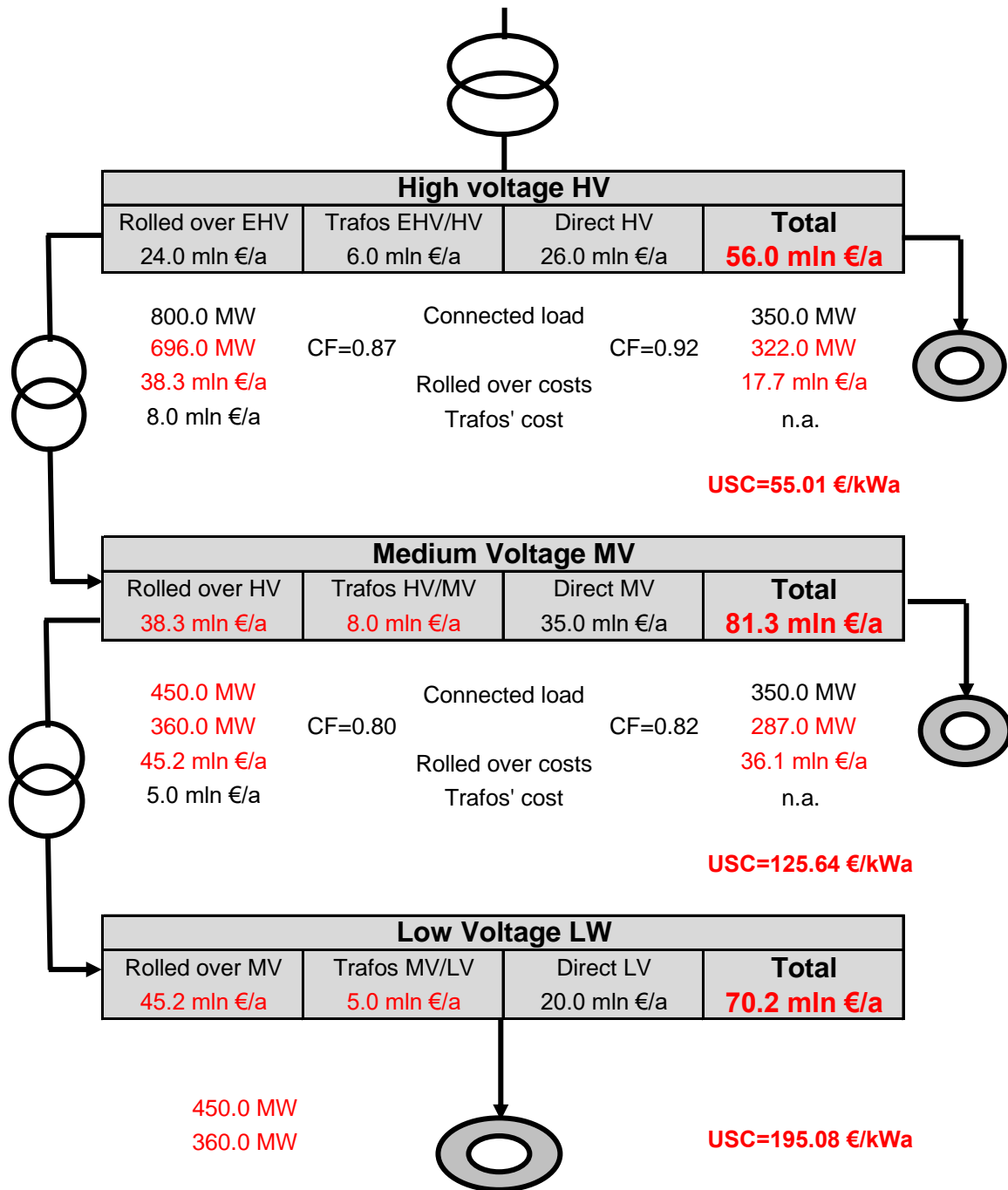


TE-Ch8_Use-of-system-tariffs-Calculation-Ex-8-4.xls
 Costs Roll-over



Tariffs

Use of system charge by voltage level				
HH US charge	55.01 €/kWa			
MV US charge	125.64 €/kWa			
LV US charge	195.08 €/kWa			
Straight line equations' factors				
Constant factor	0.1		0.58	
Slope factor	0.6		0.42	
Tariffs	Capacity	Energy	Capacity	Energy
	2,500 h/a		8,760 h/a	
	€/kWa	Ct/kWh	€/kWa	Ct/kWh
HH	5.50	1.32	31.91	0.26
MV	12.56	3.02	72.87	0.60
LV	19.51	4.68	113.15	0.94